



MERLO

P 65.14 HM

- **MAXIMUM LOAD CAPACITY: 14,300 LBS**
- **MAXIMUM LIFT HEIGHT: 45' 6"**
- **MAXIMUM REACH: 29' 5"**
- **LIFT CAPACITY AT MAXIMUM LIFT HEIGHT: 8,800 LBS**
- **LIFT CAPACITY AT MAXIMUM FORWARD REACH: 3,500 LBS**

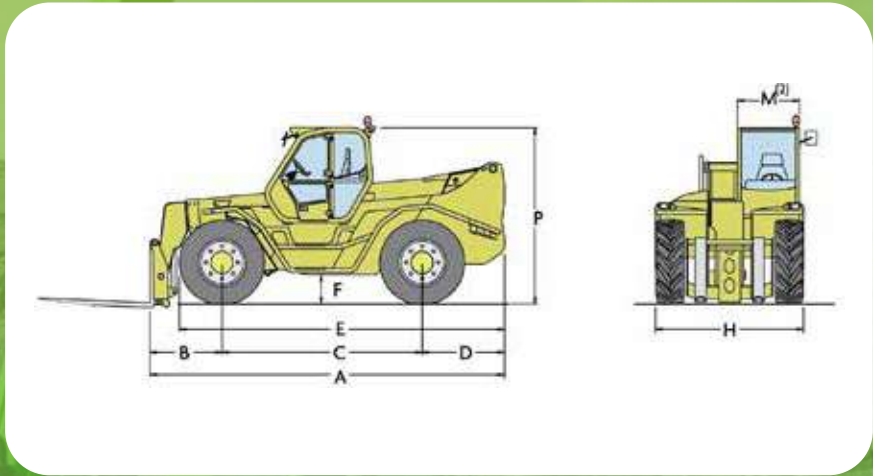
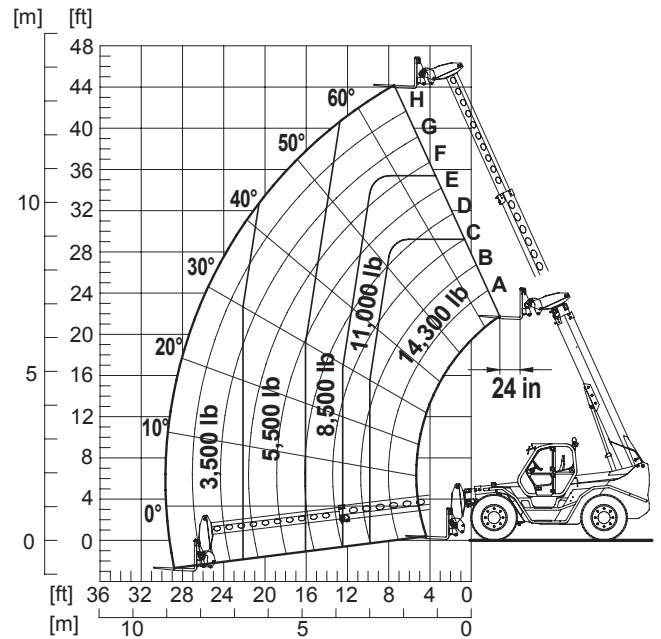


SPECIFICATIONS: P 65.14 HM



Power / 4 Cylinder Turbo Diesel	Iveco/170 HP
Transmission	2 Speed / Hydrostatic
Maximum Speed	25 MPH
Total Unladen Mass (with forks)	34,100 LBS
Boom Sideshift	Standard
Frame Leveling	Standard / ±8%
Load Sensing Hydraulic Pump (PSI-gal/min)	3,340-38
Fuel Capacity	48.8 Gallons
Hydraulic Oil Capacity	32 Gallons
Tires	17.5-25
Turning Radius	14'-1"
4 Wheel Drive / 3 Steering Modes	Standard
Control and Command Center	Electronic MERlin

P 65.14 HM WITH FORKS



Dimensions (FT)					
A	19'-4"	D	4'-4"	H	7'-10"
B	4'-4"	E	17'-2"	M ⁽²⁾	3'-3"
C	10'-6"	F	1'-5"	P	9'-4"

(2) Internal Width

DEALER INFORMATION: